



## Photo



## Descriptions

- The controller holder allows you to place the remote controller on the wall.
- It helps to prevent the remote controller, from being misplaced.

## Applicable Models

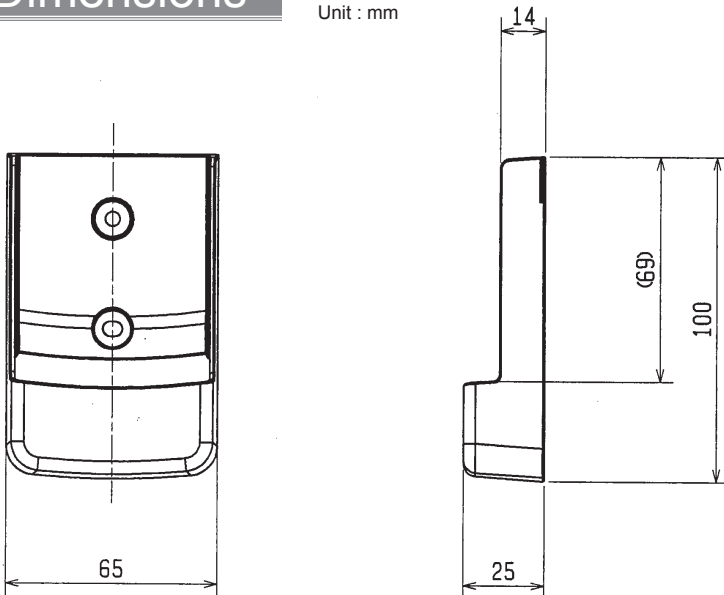
- MSZ-DM25VA      ■ MSZ-HJ50VA
- MSZ-DM35VA      ■ MSZ-HJ60VA
- MSZ-HJ25VA      ■ MSZ-HJ71VA
- MSZ-HJ35VA

## Specifications

Material	Polystyrene
Color	White

## Dimensions

Unit : mm



## How to Use / How to Install

### Installation area

#### 1) Installation area

- Area in which the remote controller is not exposed to direct sunshine.
- Area in which there is no nearby heating source.
- Area in which the remote controller is not exposed to cold (or hot) winds.
- Area in which the remote controller can be operated easily.
- Area in which the remote controller is beyond the reach of children.

#### 2) Installation method

① Attach the remote controller holder to the desired location using two tapping screws.

② Place the lower end of the controller into the holder.

- Ⓐ Remote controller
- Ⓑ Wall
- Ⓒ Display panel
- Ⓓ Receiver

- The signal can travel up to approximately 7 meters (in a straight line) within 45 degrees to both right and left of the center line of the receiver.

OPTIONAL  
PARTS